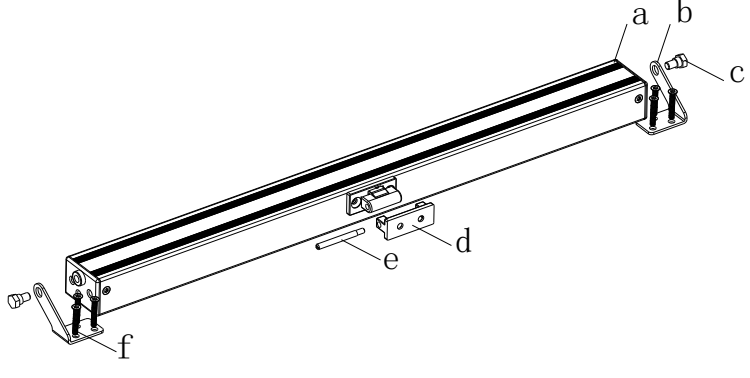


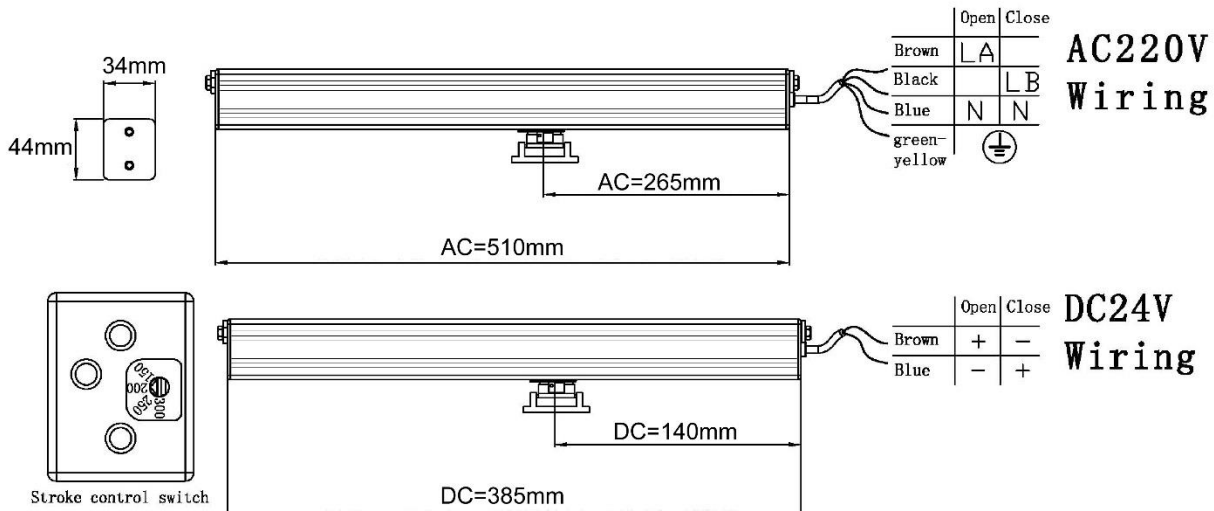
Chainwinder with Adjustable Stroke

Installing Instruction

Package List		
	Description	Q'ty
a	Chain Actuator	1
b	Mounting Bracket	2
c	Hex Head Screw	2
d	Connector	1
e	Latch	1
f	φ 5 Self-tapping Screw	8



Dimension and Wiring Diagram

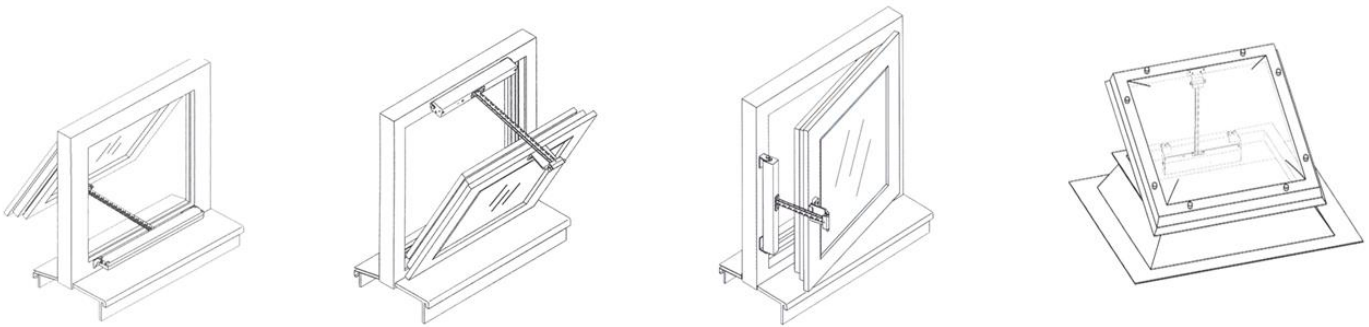


Parameters

	Unit	Specification	
		CH - DC24V	CH - AC220V
Force	N	250	250
Max Current	A	0.6	0.15
Stroke	mm	150-200-250-300	150-200-250-300
Speed	mm/sec	~10	~10
Operating Voltage	V	DC24V ± 10%	AC220V ± 10%
Temps	°C	-20~ +75	-20~ +75
IP Class	IP	32	32

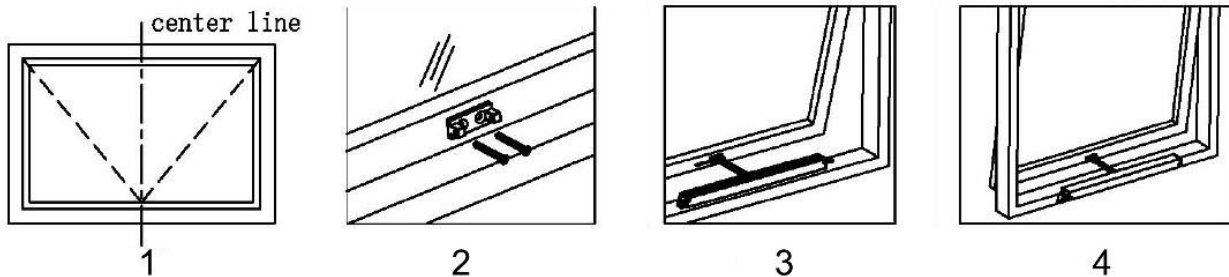
- Applications: top/bottom/side hinged windows, pivoted windows, inward/outward opening windows, skylights...
- Different brackets offered.
- Chain options: carbon steel or stainless steel.
- Stroke, force and finish color can be customized.
- MCU inside
- Electronic overload cutoff.

Applications



Installation Steps:

- Find the center of the sash. This is where the small horizontal sash bracket will attach (picture 1).
- Once the test fit is performed remove the sash bracket and fit to the sash (picture 2).
- Drive the motor open approximately 100mm (picture 3).
- Reconnect the chain to the sash bracket using the screw in pin (picture 3).
- Drive the motor closed until it is approximately 10mm from being fully closed (picture 4).
- The motor will now be sitting in the correct position.
- Screw the swivel brackets on each side of the motors into place. Making sure the motor is parallel to the window frame.
- Drive the motor all the way closed.
- The window should close tightly then open up 1 to 2mm. This is the Seal Relief function that will stop the seal from being crushed for a long period.



Note:

Included in this kit is a number of customised brackets to ensure the motors fit properly on the windows and operate correctly.

Before installing the motor it is recommended that a test fit be performed.

This involves fitting the mounting brackets to the motor and holding it against the window to make sure the motor sits horizontally, and the chain will clear the window stop fin or cutout in the window sill.

Safety Note:

- All motors have had a quality inspection and test of operation in our factory before dispatch.
- Before installation make sure the stroke of actuator is smaller than max opening range of the window sash.
- The housing and chain cannot be scratched or blocked by the window frame; they need to be at least 3mm away from the window frame.
- Make sure the power is disconnected before installation.
- Do not put your hands between window sash and frame when the actuator is working.
- Trained professional staff only for the installation.
- Indoor use only.
- **Before installation, find out the input voltage of the actuator is DC24V or AC240V.**
- Before installation, make sure the window is working freely.
- Regularly check the aging condition of wire and fastening screws, window stays & seals, at least annually.
- Please do not rotate the stroke control switch when the power is connected.
- ALL 240vAC cabling MUST only be installed and connected by a licensed electrician.